



RHINO-RACK

CA1175 - Foxwing Pole Service Kit

Place these instructions in the vehicle's glove box after installation is complete.

Important: Please read these instructions carefully prior to installation.
Please refer to your fitting instruction to ensure that the alloy tray is installed correctly.
Check the contents of this kit before commencing fitment and report any discrepancies.

Item	Component Name	Qty	Part No.
1	Pole End Bracket Nylon	2	CA1186
2	8g x 9mm S/S Pan Phillips	2	B200
3	Fitting Instructions	1	R268

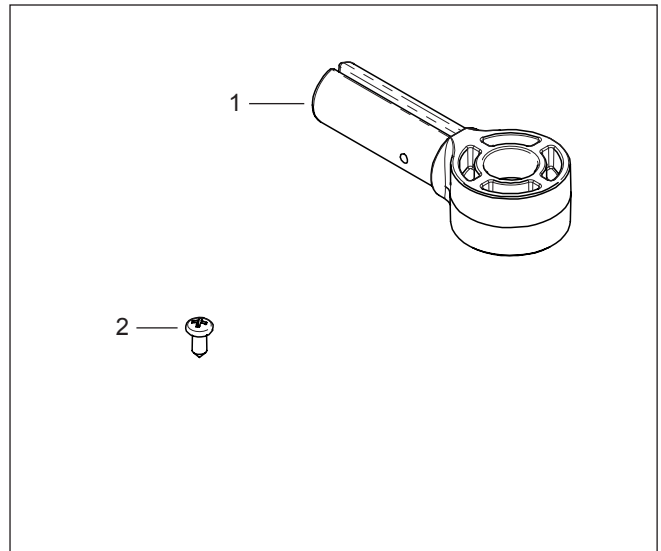
Care Instruction

Take care not to damage fabric when replacing parts.

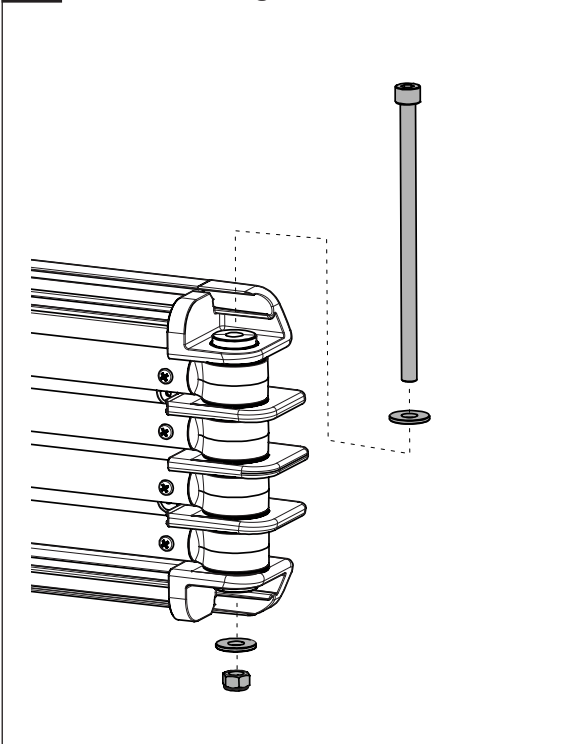
Tools Required

Rubber Mallet & Hammer, Phillips Screwdriver, Flat Screwdriver, 13mm Spanner, 6mm Allen Key

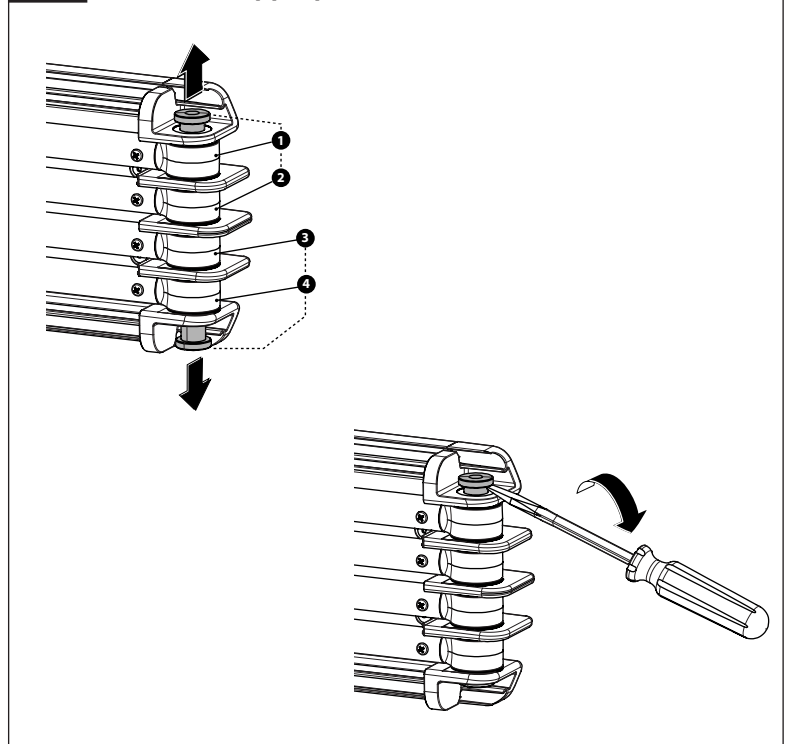
2.5mm Pin Punch, Drill & 4.5mm Drill Bit (for cast hinge only)



1 Remove Hinge Bolt



2 Remove Appropriate Bush



Rhino-Rack
3 Pike Street, Rydalmere,
NSW 2116, Australia.
(Ph) (02) 9638 4744
(Fax) (02) 9638 4822

Document No: R268
Prepared By: Nigel Greig
Authorised By: Chris Murty

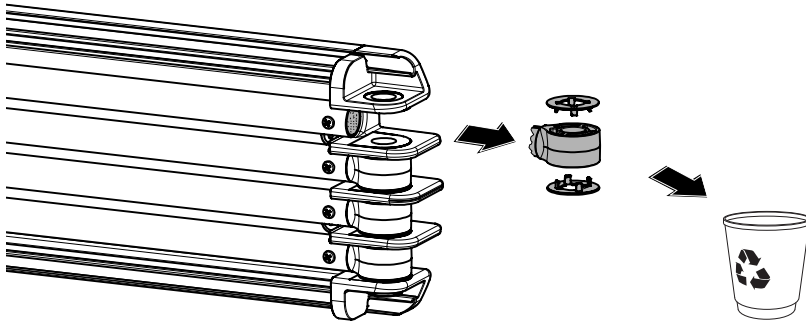
Issue No: 01
Issue Date: 08/04/2013

These instructions remain the property of Rhinorack Australia Pty Ltd and may not be used or changed for any other purpose than intended.



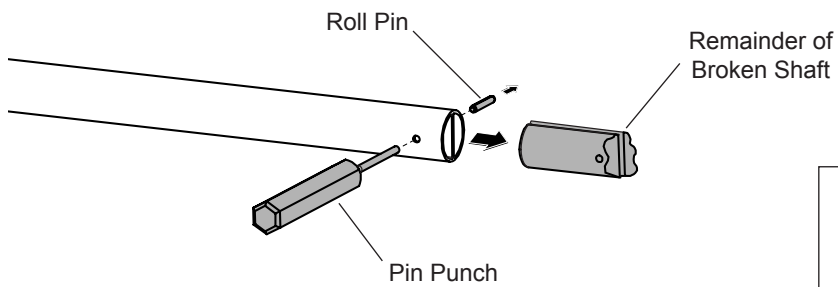
CA1175 - Foxwing Pole Service Kit

3 Remove Broken Parts



Cast Aluminium Parts

4a

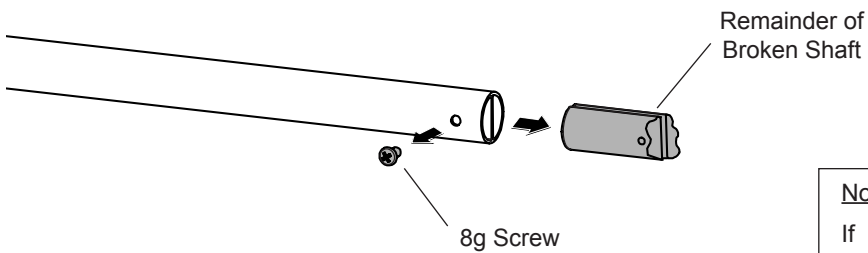


Note:

If you have difficulty removing the broken shaft it can be left within the pole. When inserting the new part in step 5 the broken shaft will get pushed further into the pole.

Plastic Parts

4b



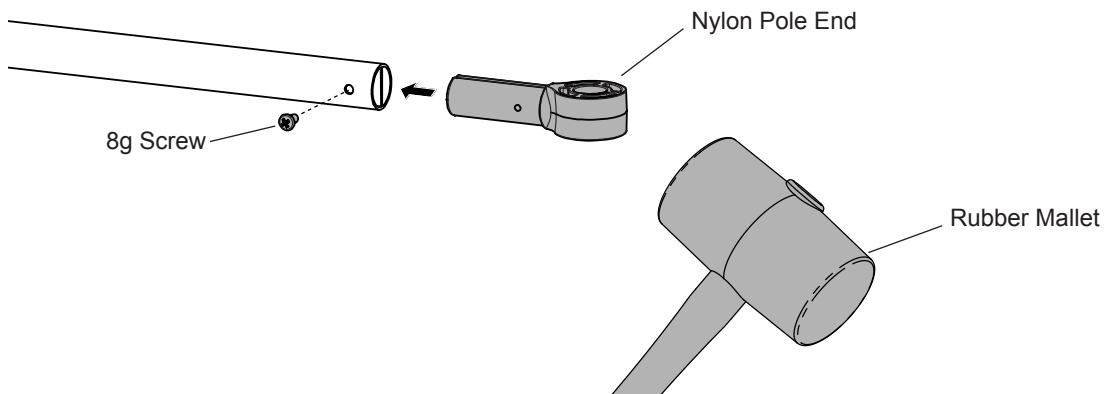
Note:

If you have difficulty removing the broken shaft it can be left within the pole. When inserting the new part in step 5 the broken shaft will get pushed further into the pole.

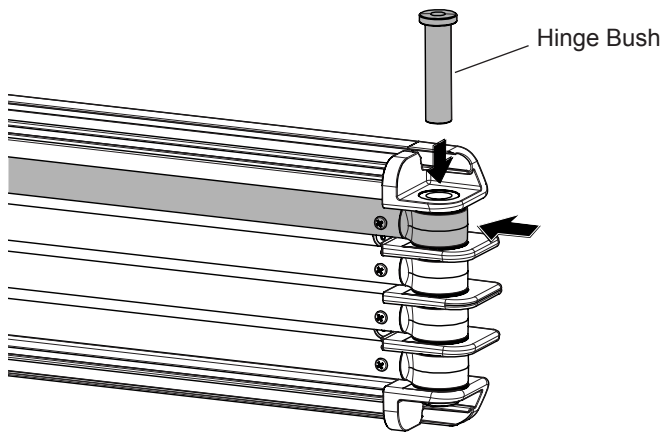


CA1175 - Foxwing Pole Service Kit

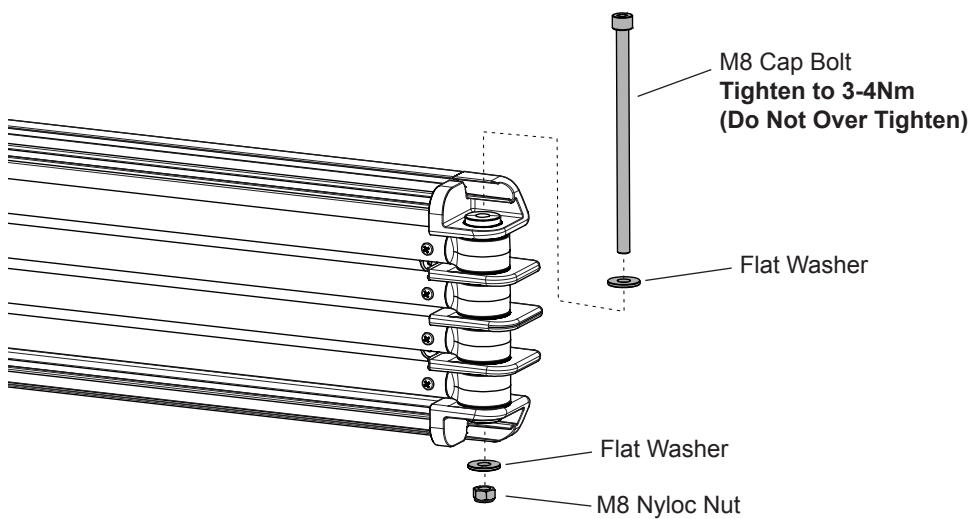
5 Fit New Part to Pole



6 Re-Fit Pole and Bush



7 Re-Fit Hinge Bolt



7 Operate Awning

Operate the awning to check that the hinge performs as it should. If there is too much resistance in the hinge then back of the bolt torque (Step 7) and repeat this step.